

# UTV

# 500

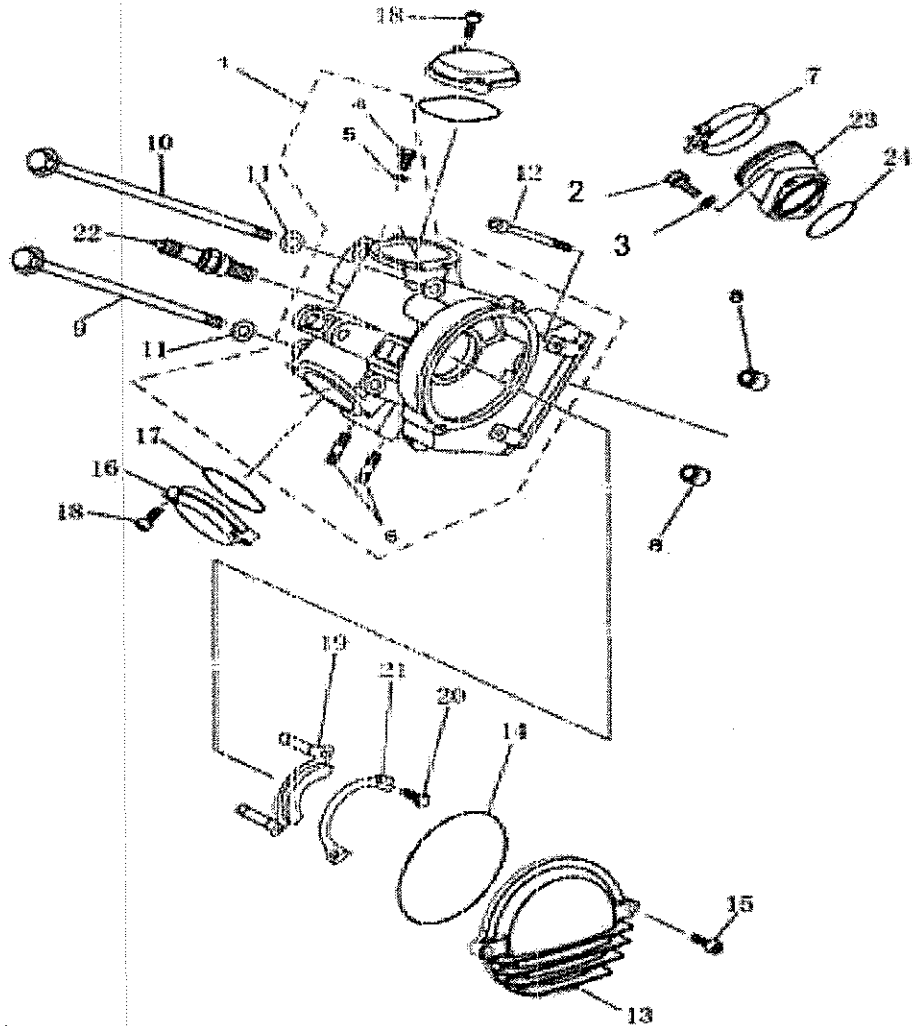


*Engine Parts  
Catalog*



All Terrain USA, LLC  
 1260 Trapper Circle  
 Roanoke, Virginia 24012  
 540-265-1002

utv.allterrainusa.com  
 sales@allterrainusa.com



| CYLINDER HEAD |                |                             |     |
|---------------|----------------|-----------------------------|-----|
| No.           | Part No.       | Part Name And Standard      | QTY |
| 1             | 12200-F18-0000 | CYLINDER HEAD ASSY          | 1   |
| 2             | 70.1-8-25      | SCREW M8×25                 | 2   |
| 3             | 90612-F12-0000 | gasket 8×14×1               | 2   |
| 4             | 16674-6-12     | BOLT M6×12                  | 1   |
| 5             | 90601-F11-0000 | GASKET 6.2×13×1.5           | 1   |
| 6             | 899-8-45       | double-ended BOLT STUD      | 2   |
| 7             | 91403-F12-0000 | CLIP of inlet pipe32-50     | 1   |
| 8             | 90802-F11-0000 | PIN 14×16                   | 2   |
| 9             | 16674-10-223   | BOLT M10×223                | 2   |
| 10            | 16674-10-250   | BOLT M10×250                | 2   |
| 11            | 90602-F11-0000 | WASHER 10×18×2              | 4   |
| 12            | 70.1-8-40      | screw M8×40                 | 2   |
| 13            | 12331-F12-0000 | left cover of cylinder head | 1   |
| 14            | 91202-F11-0000 | O-seal RING 107×2.4         | 1   |
| 15            | GB/T70.1-2000  | screw M6×25                 | 2   |
| 16            | 12361-F11-0000 | valve cover                 | 2   |
| 17            | 91201-F11-0000 | O-RING 58×2.4               | 2   |
| 18            | 70.1-6-20      | screw M6×20                 | 4   |
| 19            | 12206-F18-0000 | PLATE of camshaft I         | 1   |
| 20            | 6/16/5783      | BOLT M6×16                  | 2   |
| 21            | 12207-F18-0000 | PLATE of camshaft II        | 1   |
| 22            | 33300-F11-0000 | SPARK PLUG(NGK DR8EA)       | 1   |



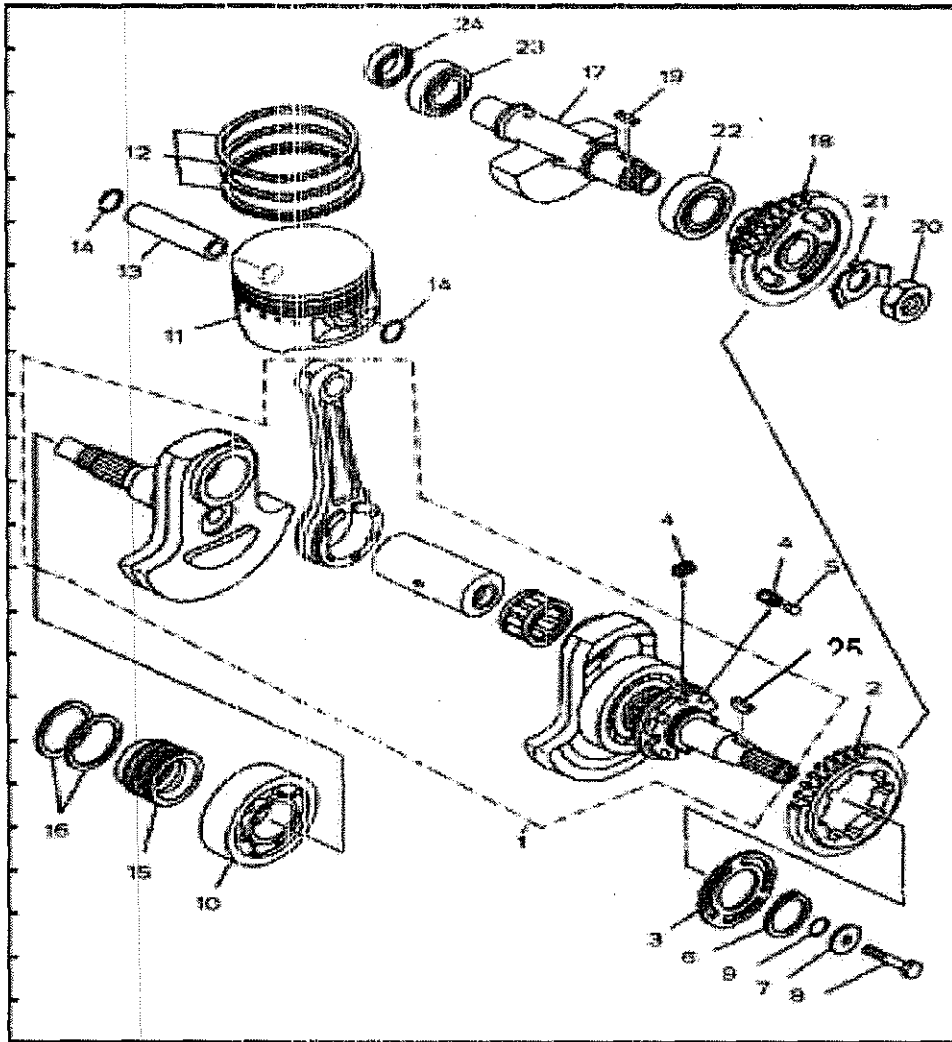






All Terrain USA, LLC  
 1260 Trapper Circle  
 Roanoke, Virginia 24012  
 540-265-1002

utv.allterrainusa.com  
 sales@allterrainusa.com



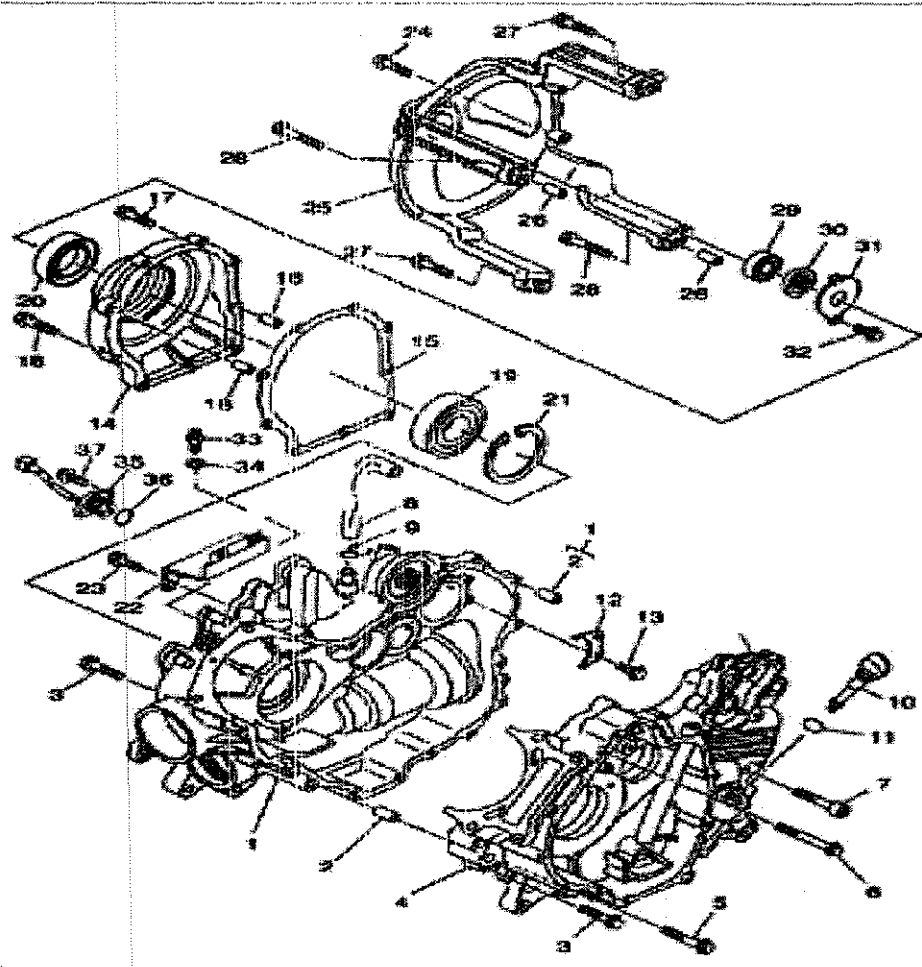
| CRANKSHAFT PISTON |                |                            |     |
|-------------------|----------------|----------------------------|-----|
| No.               | Part No.       | Part Name And Standard     | QTY |
| 1                 | 13200-F18-0000 | CRANKSHAFT lever ASSY      | 1   |
| 2                 | 13304-F39-0000 | balance drive gear         | 1   |
| 3                 | 13305-F39-0000 | position plate, drive gear | 1   |
| 4                 | 13302-F39-0000 | cushion spring             | 8   |
| 5                 | 13303-F39-0000 | PIN 6×9.3                  | 4   |
| 6                 | 90701-F39-0000 | CIRCLIP 35×1.5             | 1   |
| 7                 | 90618-F12-0000 | WASHER 10×30×3.2           | 1   |
| 8                 | 5783-10-40     | BOLT M10×40                | 1   |
| 9                 | 91207-F39-0000 | O-RING 16.1×3.1            | 1   |
| 10                | 276-6307       | BEARING 6307               | 1   |
| 11                | 13101-F18-0000 | PISTON                     | 1   |
| 12                | 13120-F18-0000 | PISTON RING SET            | 1   |
| 13                | 13111-F18-0000 | piston pin                 | 1   |
| 14                | 91301-F18-0000 | piston CIRCLIP             | 2   |
| 15                | 13401-F39-0000 | seal ring set              | 1   |
| 16                | 13402-F39-0000 | seal ring                  | 2   |
| 17                | 13300-F18-0000 | balance shaft assy         | 1   |
| 18                | 13320-F39-0000 | balance driven gear assy   | 1   |
| 19                | 1095-B5-12.4   | KEY B5×12.4                | 1   |
| 20                | 6172.1-18-1    | NUT M18×1                  | 1   |
| 21                | 13321-F39-0000 | LOCK WASHER                | 1   |
| 22                | 276-6305       | BEARING 6305               | 1   |



All Terrain USA, LLC  
 1260 Trapper Circle  
 Roanoke, Virginia 24012  
 540-265-1002

utv.allterrainusa.com  
 sales@allterrainusa.com

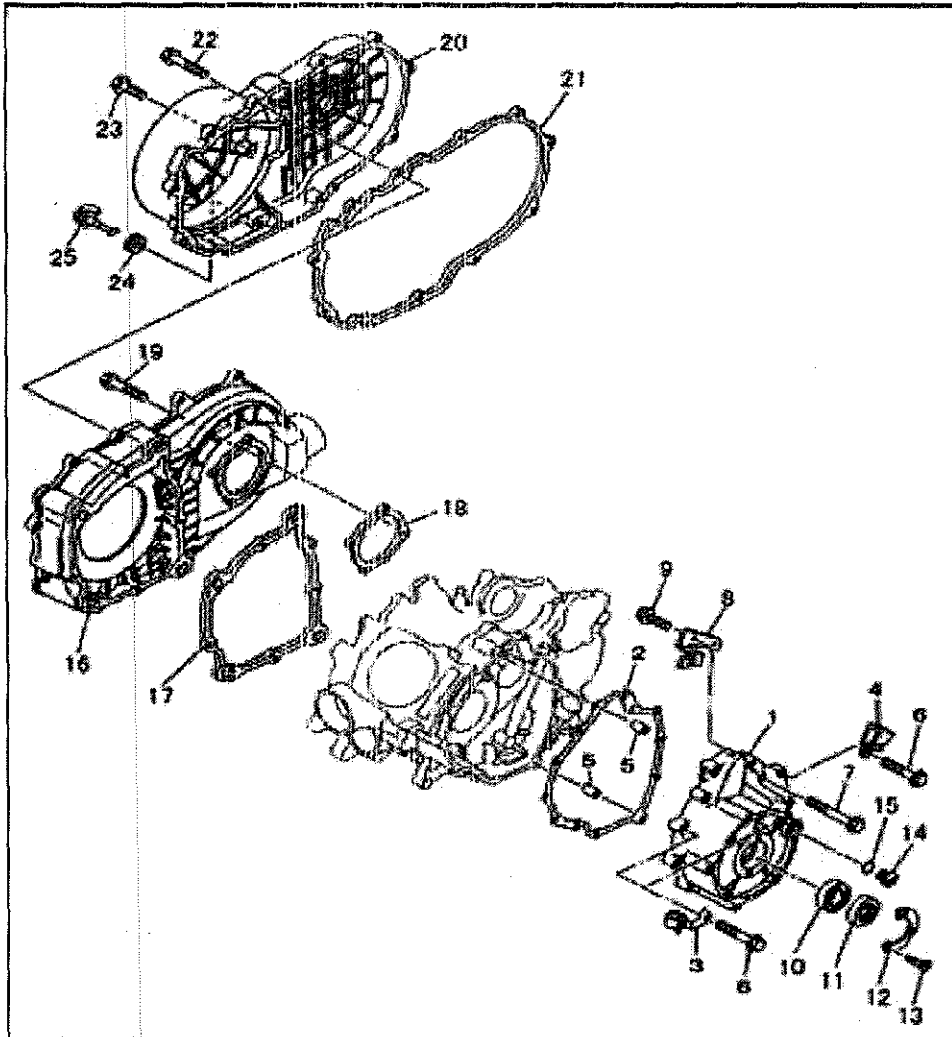
| CRANKCASE |                 |                         |     |
|-----------|-----------------|-------------------------|-----|
| No.       | Part No.        | Part Name And Standard  | QTY |
| 1         | 11200-F18-0000  | right crankcase assy    | 1   |
| 2         | 90803-F11-0000  | PIN 10×15.7             | 2   |
| 3         | GB/T 16674-1996 | FLANGE BOLT M6×30       | 12  |
| 4         | 11100-F18-0000  | left crankcase assy     | 1   |
| 5         | 16674-6-40      | FLANGE BOLT M6×40       | 2   |
| 6         | 5789-6-55       | FLANGE BOLT M6×55       | 1   |
| 7         | 70.1-8-40       | screw M8×40             | 3   |
| 8         | 91202-058-0000  | exhaust pipe of engine  | 1   |
| 9         | 91503-058-0000  | exhaust pipe CLIP       | 1   |
| 10        | 15651-F39-0000  | oil guage               | 1   |
| 11        | 91216-F39-0000  | O-RING 20×2.3           | 1   |
| 12        | 11111-F39-0000  | BEARING PLATE           | 1   |
| 13        | 16674-6-14      | FLANGE BOLT M6×14       | 2   |
| 14        | 21240-F39-0000  | BEARING HOUSING         | 1   |
| 15        | 21241-F39-0000  | GASKET, BEARING HOUSING | 1   |
| 16        | 90801-F39-0000  | PIN 10×16               | 2   |
| 17        | 16674-6-30      | FLANGE BOLT M6×30       | 7   |
| 18        | 16674-6-40      | FLANGE BOLT M6×40       | 2   |
| 19        | 276-16010       | BEARING 16010           | 1   |
| 20        | 91102-F39-0000  | OIL SEAL 35×65×9        | 1   |
| 21        | 90704-F39-0000  | CIRCLIP 80              | 1   |
| 22        | 17115-F39-0000  | exhaust pipe BRACKET    | 1   |





All Terrain USA, LLC  
 1260 Trapper Circle  
 Roanoke, Virginia 24012  
 540-265-1002

utv.allterrainusa.com  
 sales@allterrainusa.com



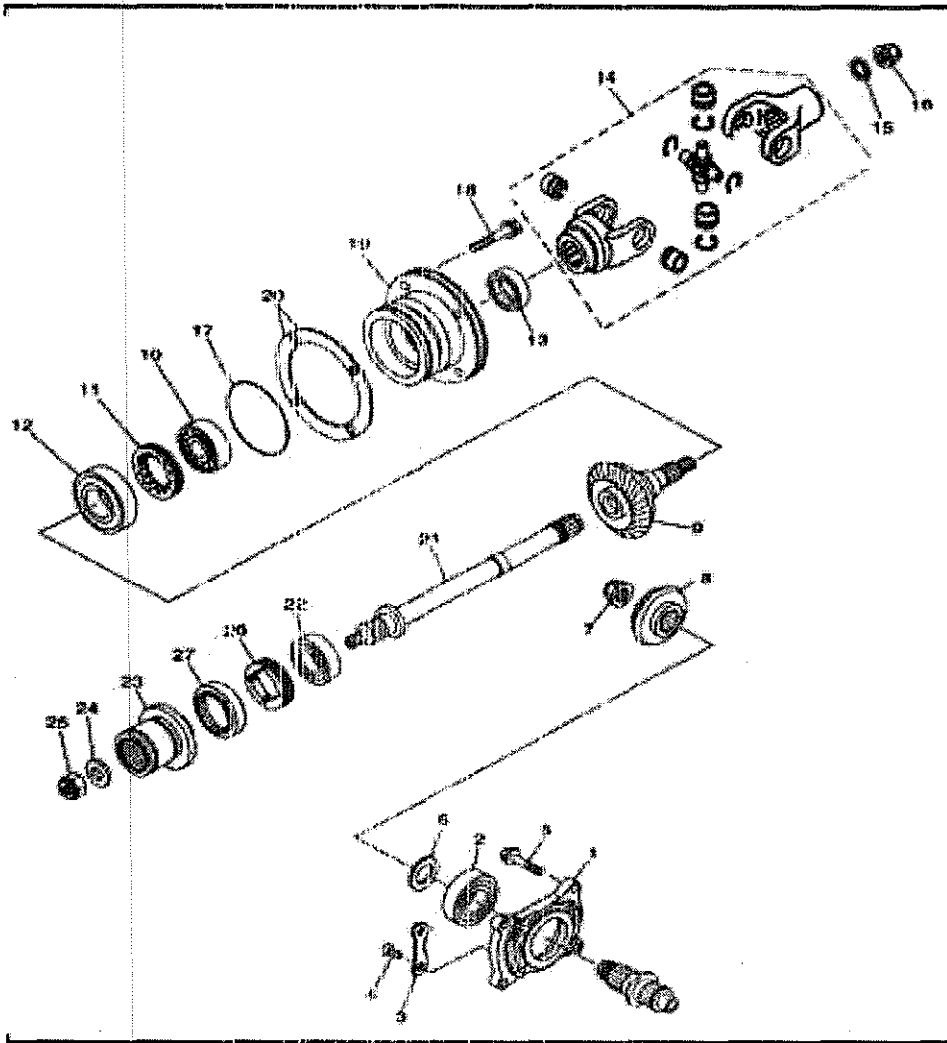
| CRANKCASE COVER 1 |                |                            |     |
|-------------------|----------------|----------------------------|-----|
| No.               | Part No.       | Part Name And Standard     | QTY |
| 1                 | 11321-F39-0000 | Cover Crankcase 1          | 1   |
| 2                 | 11323-F39-0000 | Gasket Crankcase Cover 1   | 1   |
| 3                 | 91501-F39-0000 | Clamp                      | 1   |
| 4                 | 91601-F39-0000 | Clamp                      | 1   |
| 5                 | 90803-F11-0000 | Pin Dowel                  | 2   |
| 6                 | 16674-6-30     | Bolt M6×30                 | 9   |
| 7                 | 16674-6-40     | Bolt M6×40                 | 4   |
| 8                 | 11322-F39-0000 | Plate                      | 1   |
| 9                 | 16674-6-14     | Bolt M6×14                 | 2   |
| 10                | 276-60/28      | Bearing60/28               | 1   |
| 11                | 91103-F12-0000 | Oil Seal 28×52×8.2         | 1   |
| 12                | 11324-F11-0000 | Washer Thrust              | 1   |
| 13                | 819.1-5-16     | Screw M5×16                | 2   |
| 14                | 11325-F19-0000 | Hand Hole Cover            | 1   |
| 15                | 91209-F39-0000 | O-Ring 13.4×2.35           | 1   |
| 16                | 11450-F39-0000 | Cover Crankcase 2          | 1   |
| 17                | 11411-F39-0000 | Clutch Crankcase Cushion □ | 1   |
| 18                | 11412-F39-0000 | Clutch Crankcase Cushion □ | 1   |
| 19                | 16674-6-30     | Bolt M6×30                 | 7   |
| 20                | 11400-F39-0000 | Cover Crankcase 3          | 1   |
| 21                | 11413-F39-0000 | Clutch Crankcase Cushion   | 1   |
| 22                | 16674-6-25     | Bolt M6×25                 | 12  |





All Terrain USA, LLC  
 1260 Trapper Circle  
 Roanoke, Virginia 24012  
 540-265-1002

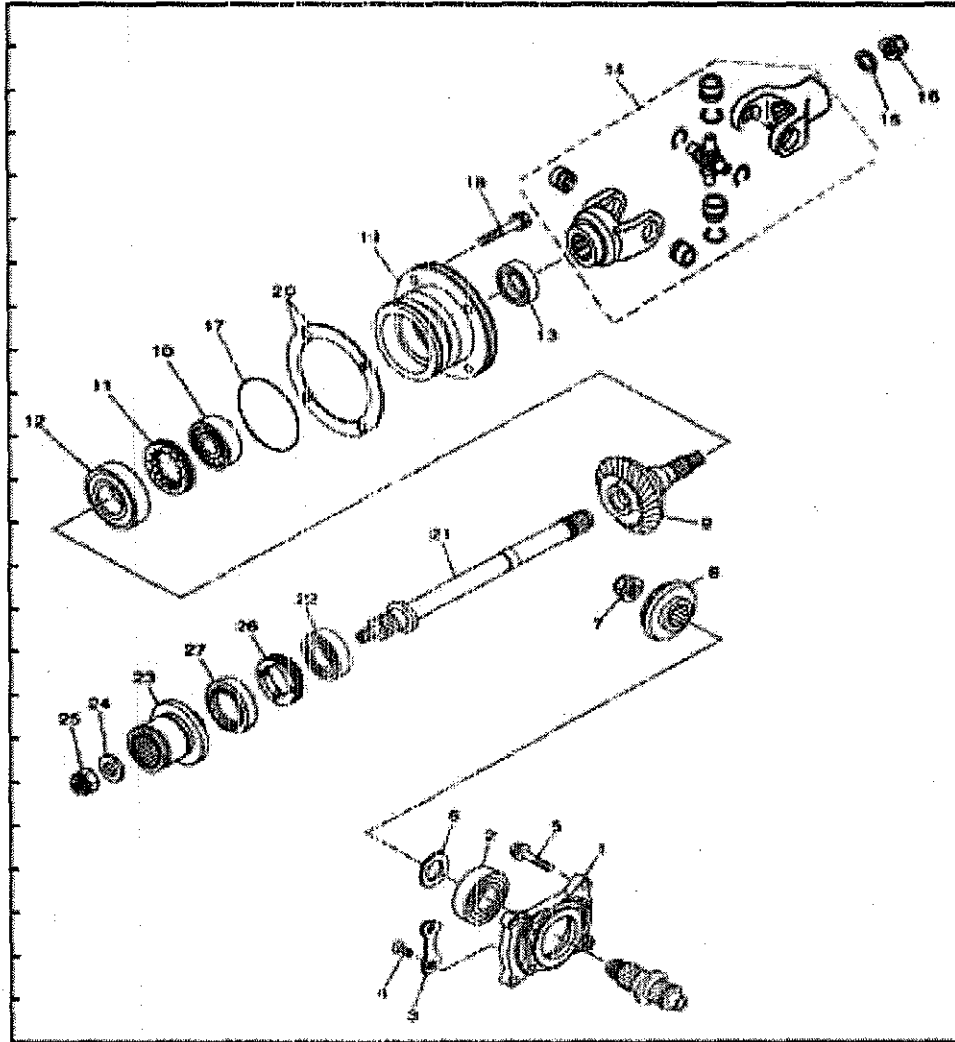
utv.allterrainusa.com  
 sales@allterrainusa.com



| MIDDLE DRIVE GEAR |                |                                 |     |
|-------------------|----------------|---------------------------------|-----|
| No.               | Part No.       | Part Name And Standard          | QTY |
| 1                 | 22140-F39-0000 | bearing housing, X-output shaft | 1   |
| 2                 | 276-6305       | BEARING 6305                    | 1   |
| 3                 | 22142-F39-0000 | bearing PLATE                   | 2   |
| 4                 | 819.2-8-24     | SCREW M8×24                     | 4   |
| 5                 | 8/30/5789      | FLANGE BOLT M8×30               | 4   |
| 6                 | 90606-F39-0001 | gasket 26×38×0.1                | 1   |
| 6                 | 90606-F39-0002 | gasket 26×38×0.15               | 1   |
| 6                 | 90606-F39-0003 | gasket 26×38×0.2                | 1   |
| 6                 | 90606-F39-0004 | gasket 26×38×0.4                | 1   |
| 6                 | 90606-F39-0005 | gasket 26×38×0.5                | 1   |
| 6                 | 90606-F39-0006 | gasket 26×38×0.3                | 1   |
| 7                 | 6172.1-22      | NUT M22                         | 1   |
| 8                 | 22141-F39-0000 | drive gear                      | 1   |
| 9                 | 22150-F18-0000 | driven gear                     | 1   |
| 10                | 276-63/22      | BEARING 63/22                   | 1   |
| 11                | 22158-F39-0000 | lock ring M60                   | 1   |
| 12                | 276-6207       | BEARING 6207                    | 1   |
| 13                | 91106-F12-0000 | OIL SEAL 35×52×8                | 1   |
| 14                | 22181-F18-0000 | gimbal assy                     | 1   |
| 15                | 90607-F39-0000 | WASHER 16.5×28×4                | 1   |
| 16                | 90301-F39-0000 | self-lock NUT M16               | 1   |
| 17                | 91206-F39-0000 | O-RING88×2.8                    | 1   |

All Terrain USA, LLC  
 1260 Trapper Circle  
 Roanoke, Virginia 24012  
 540-265-1002

utv.allterrainusa.com  
 sales@allterrainusa.com

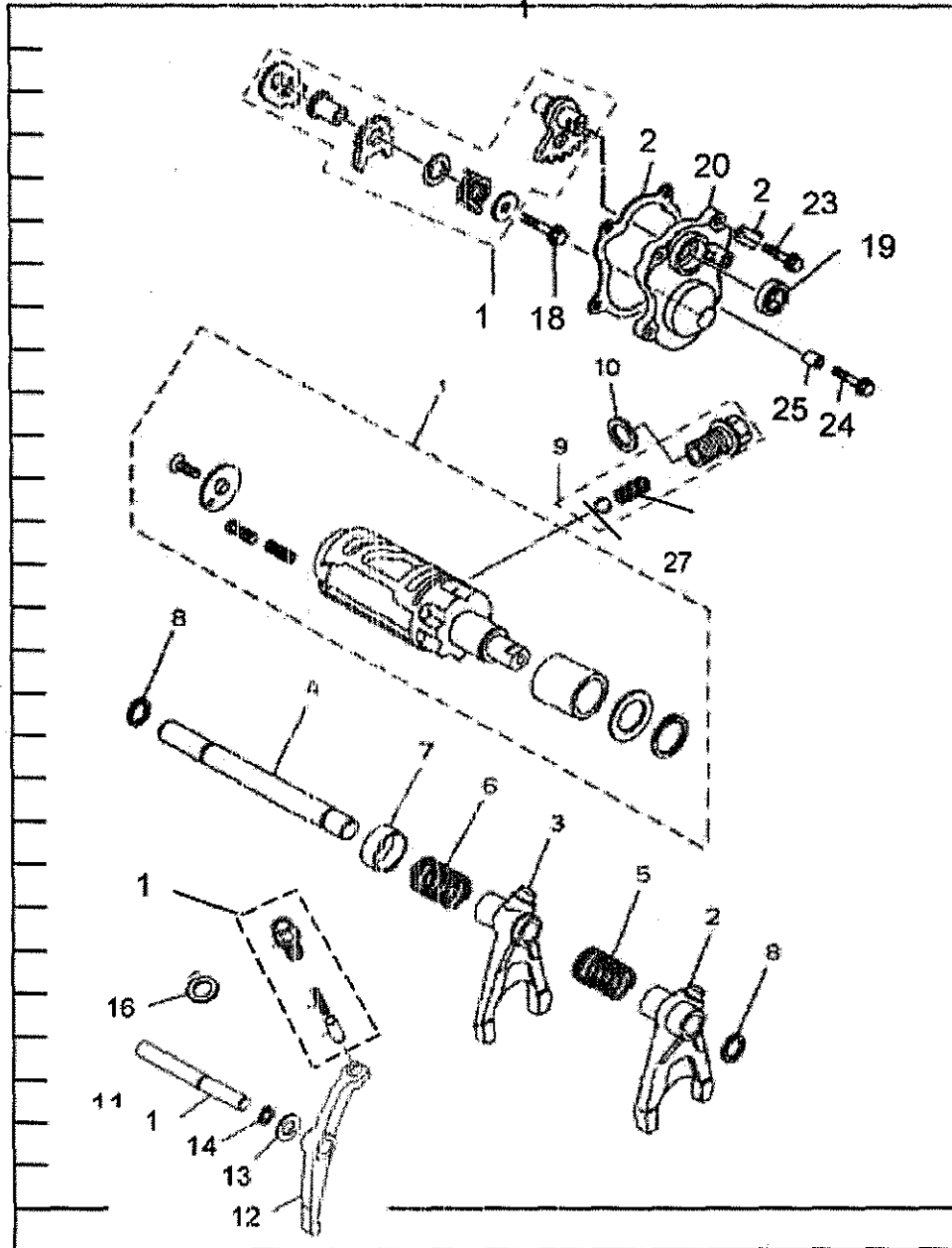


| <b>MIDDLE DRIVE GEAR</b> |                 |                                 |            |
|--------------------------|-----------------|---------------------------------|------------|
| <b>No.</b>               | <b>Part No.</b> | <b>Part Name And Standard</b>   | <b>QTY</b> |
| 18                       | 9074.14-8-30    | BOLT M8×30                      | 4          |
| 19                       | 22151-F18-0000  | bearing housing, Y-output shaft | 1          |
| 20                       | 22152-F39-0001  | adjusting washer 0.1            | 2          |
| 20                       | 22152-F39-0002  | adjusting washer 0.15           | 2          |
| 20                       | 22152-F39-0003  | adjusting washer 0.2            | 2          |
| 20                       | 22152-F39-0004  | adjusting washer 0.3            | 2          |
| 20                       | 22152-F39-0005  | adjusting washer 0.4            | 2          |
| 20                       | 22152-F39-0006  | adjusting washer 0.5            | 2          |
| 20                       | 22152-F39-0007  | adjusting washer 0.6            | 2          |
| 21                       | 22156-F18-0000  | Y-output shaft                  | 1          |
| 22                       | 276-6205        | BEARING 6205                    | 1          |
| 23                       | 22191-F39-0000  | front drive shaft               | 1          |
| 24                       | 90607-F12-0000  | WASHER 14.5×32×4                | 1          |
| 25                       | 90301-F12-0000  | SELF-LOCKING NUT M14            | 1          |
| 26                       | 22159-F12-0000  | lock ring M55                   | 1          |
| 27                       | 91103-F39-0000  | OIL SEAL 44×60×7                | 1          |
|                          |                 |                                 |            |
|                          |                 |                                 |            |
|                          |                 |                                 |            |
|                          |                 |                                 |            |
|                          |                 |                                 |            |
|                          |                 |                                 |            |
|                          |                 |                                 |            |



All Terrain USA, LLC  
 1260 Trapper Circle  
 Roanoke, Virginia 24012  
 540-265-1002

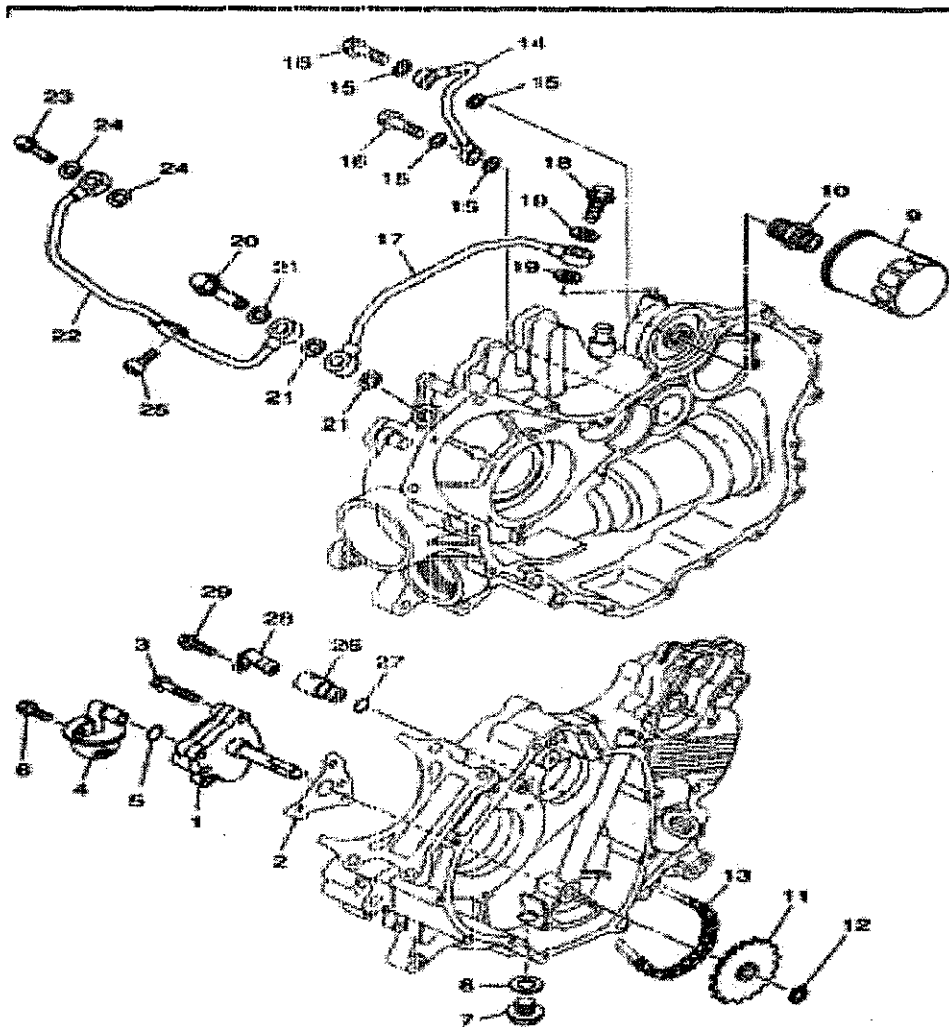
utv.allterrainusa.com  
 sales@allterrainusa.com



| SHIFT CAM FORK |                |                           |     |
|----------------|----------------|---------------------------|-----|
| No.            | Part No.       | Part Name And Standard    | QTY |
| 1              | 23200-F39-0000 | gearshift drum assy       | 1   |
| 2              | 23101-F39-0000 | R-gear fork               | 1   |
| 3              | 23102-F39-0000 | HL-gear fork              | 1   |
| 4              | 23103-F39-0000 | fork shaft                | 1   |
| 5              | 23104-F39-0000 | R-gear spring             | 1   |
| 6              | 23105-F39-0000 | HL-gear spring            | 1   |
| 7              | 23106-F39-0000 | spring housing            | 1   |
| 8              | 90702-F39-0000 | CIRCLIP 12                | 2   |
| 9              | 23300-F39-0000 | position bolt             | 1   |
| 10             | 90617-F39-0000 | GASKET 14×22×1            | 1   |
| 11             | 43601-F39-0000 | parking shaft axle        | 1   |
| 12             | 43602-F39-0000 | parking shaft             | 1   |
| 13             | 90608-F39-0000 | washer 12.3×20×1          | 1   |
| 14             | 90702-F39-0000 | CIRCLIP 12                | 1   |
| 15             | 43610-F39-0000 | parking bolt              | 1   |
| 16             | 90609-F39-0000 | washer 14×20×1.5          | 1   |
| 17             | 23340-F39-0000 | shift gear assy           | 1   |
| 18             | 5789-6-35      | bolt M6×35                | 1   |
| 19             | 91111-F39-0000 | 15×25×5                   | 1   |
| 20             | 23311-F39-0000 | side cover, gearshift arm | 1   |
| 21             | 23312-F39-0000 | side cover, gearshift     | 1   |
| 22             | 91602-F39-0000 | line cilp                 | 1   |
| 23             | 16674-6-20     | bolt M6×20                | 3   |
| 24             | 16674-6-30     | bolt M6×30                | 1   |
| 25             | 90804-F39-0000 | locating pin 8×11.7       | 1   |
| 26             | 23301-F39-0000 | position bolt spring      | 1   |
| 27             | 23302-F39-0000 | position bolt steel boll  | 1   |

All Terrain USA, LLC  
 1260 Trapper Circle  
 Roanoke, Virginia 24012  
 540-265-1002

utv.allterrainusa.com  
 sales@allterrainusa.com



| OIL PUMP |                |                                |     |
|----------|----------------|--------------------------------|-----|
| No.      | Part No.       | Part Name And Standard         | QTY |
| 1        | 15100-F39-0000 | OIL PUMP ASSY                  | 1   |
| 2        | 15101-F39-0000 | paper pad, PUMP COVER          | 1   |
| 3        | 16674-6-40     | BOLT, M6×40                    | 3   |
| 4        | 15300-F39-0000 | oil filter net                 | 1   |
| 5        | 91210-F39-0000 | O-RING 14×2.3                  | 1   |
| 6        | 16674-6-14     | FLANGE BOLT M6×14              | 1   |
| 7        | 5789-14-16     | oil release plug               | 1   |
| 8        | 90612-F39-0000 | GASKET                         | 1   |
| 9        | 15200-F39-0000 | oil filter assy                | 1   |
| 10       | 15201-F39-0000 | oil filter connector           | 1   |
| 11       | 15202-F39-0000 | driven sprocket wheel,oil pump | 1   |
| 12       | 90703-F39-0000 | CIRCLIP 11                     | 1   |
| 13       | 04CH-70        | oil pump chain                 | 1   |
| 14       | 15301-F39-0000 | oil pipe I                     | 1   |
| 15       | 90612-F39-0000 | GASKET B8                      | 4   |
| 16       | 15304-F39-0000 | BOLT M8×20                     | 2   |
| 17       | 15302-F39-0000 | oil pipe II                    | 1   |
| 18       | 15305-F39-0000 | BOLT M14×28.5                  | 1   |
| 19       | 90609-F39-0000 | GASKET 14×20×1.5               | 2   |
| 20       | 15307-F39-0000 | BOLT M14×50                    | 1   |
| 21       | 90609-F39-0000 | GASKET 14×20×1.5               | 2   |
| 22       | 15303-F39-0000 | oil pipe III                   | 1   |





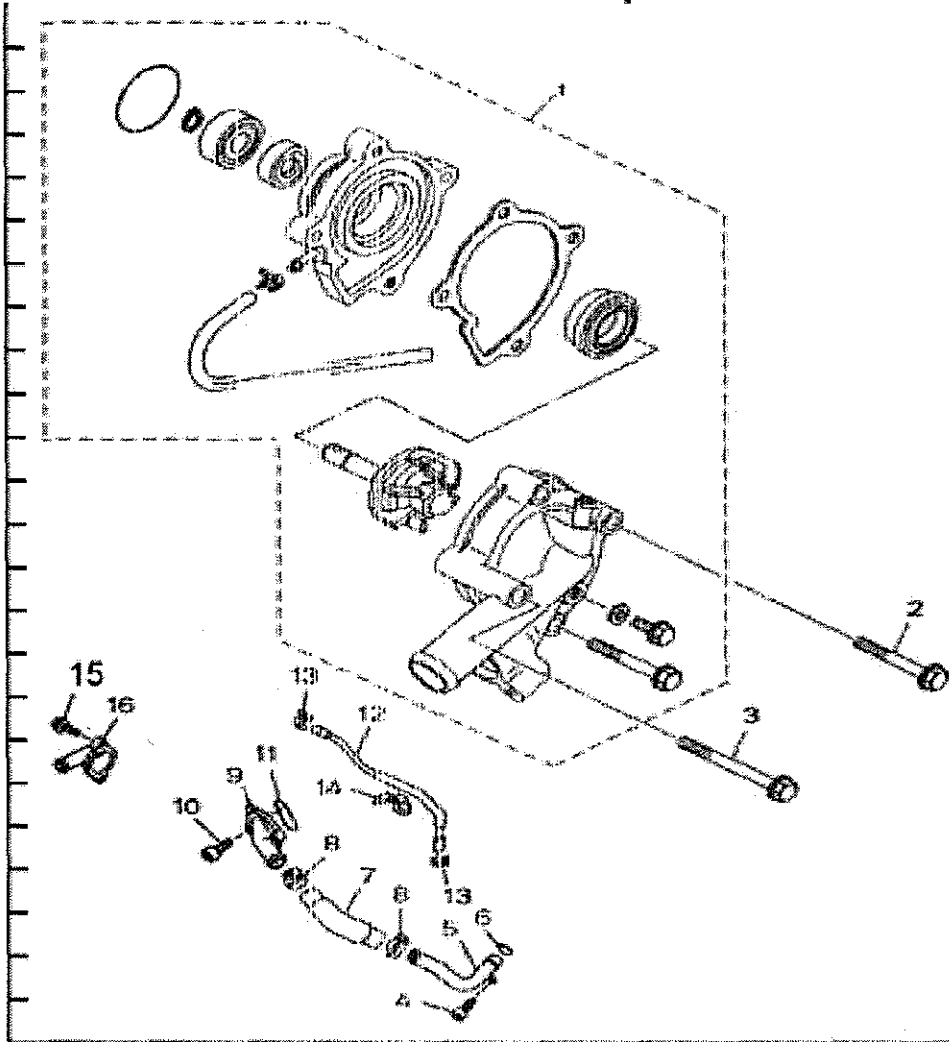






All Terrain USA, LLC  
 1260 Trapper Circle  
 Roanoke, Virginia 24012  
 540-265-1002

utv.allterrainusa.com  
 sales@allterrainusa.com



| WATER PUMP |                |                             |     |
|------------|----------------|-----------------------------|-----|
| No.        | Part No.       | Part Name And Standard      | QTY |
| 1          | 19700-F39-0000 | WATER PUMP ASSY             | 1   |
| 2          | 16674-6-45     | FLANGE BOLT M6×45           | 1   |
| 3          | 16674-6-65     | FLANGE BOLT M6×65           | 1   |
| 4          | 16674-6-16     | screw M6×10                 | 1   |
| 5          | 19272-F39-0000 | water pipe II               | 1   |
| 6          | 91213-F39-0000 | O-seal ring 20.7×2.6        | 1   |
| 7          | 19273-F39-0000 | water pipe III              | 1   |
| 8          | 90405-F39-0000 | water pipe clip             | 2   |
| 9          | 19210-F39-0000 | inlet connector of cylinder | 1   |
| 10         | 70.1-6-20      | screw M6×20                 | 2   |
| 11         | 91214-F39-0000 | O-seal ring 33.4×2.4        | 1   |
| 12         | 19271-F39-0000 | water pipe I                | 1   |
| 13         | 90404-F39-0000 | clip IIφ10                  | 2   |
| 14         | 91502-F39-0000 | pipe clip II                | 1   |
| 15         | 16674-6-20     | bolt M6×20                  | 2   |
| 16         | 19410-F39-0000 | thermostat cover            | 1   |
|            |                |                             |     |
|            |                |                             |     |
|            |                |                             |     |
|            |                |                             |     |
|            |                |                             |     |
|            |                |                             |     |

